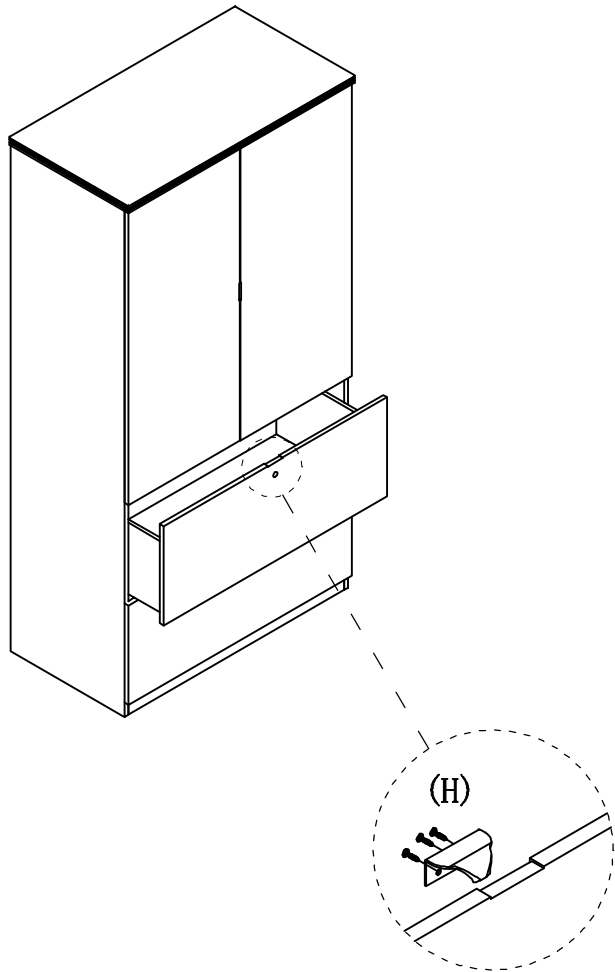
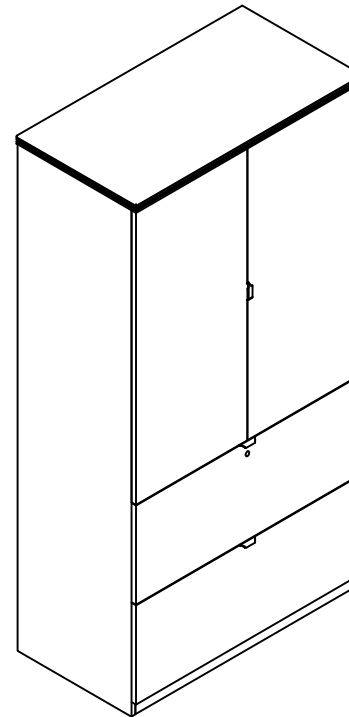


STEP 1



STEP 2



NAME: 2 DRAWER LATERAL WITH STORAGE  
 TYPE: KEN-52  
 SPECIFICATION: 36W"\*19"D\*71"H



877-OSP-WORX(877-677-9679)  
 Always lay components on clean,  
 soft cushioned surface only.